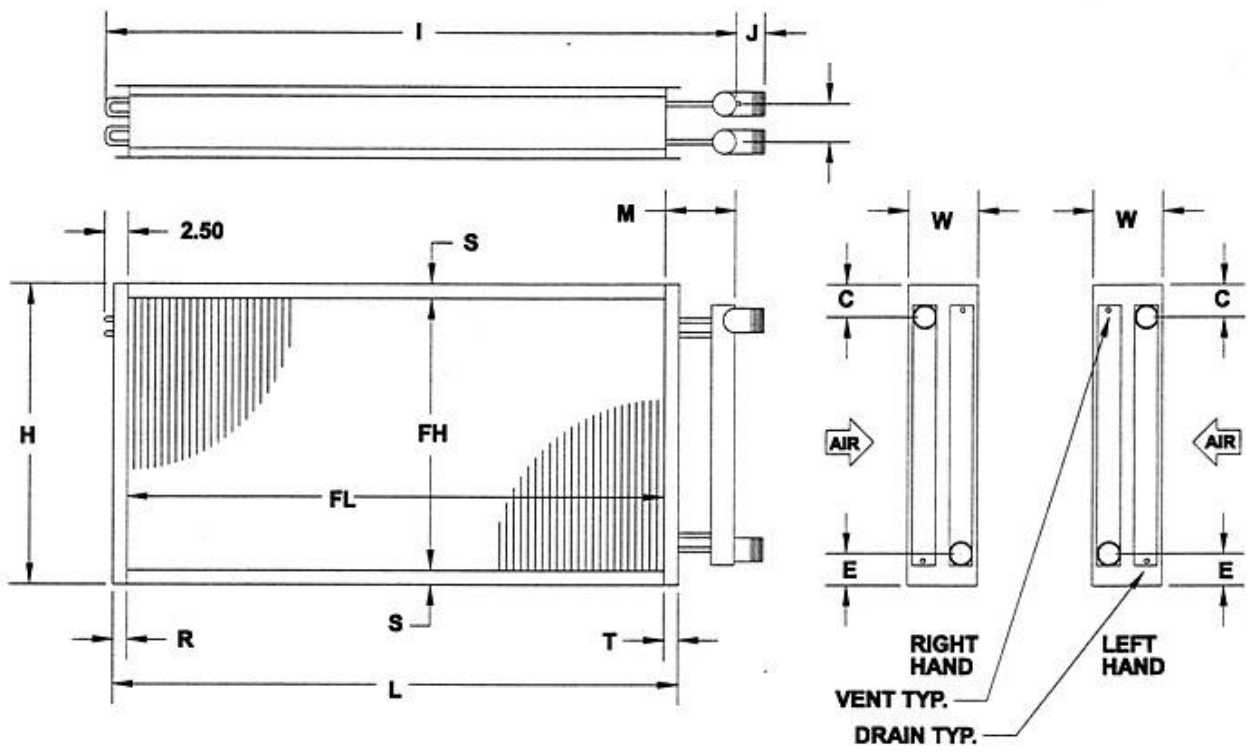


**HIC** LINCOLN ASSOCIATES  
 INC. A DIVISION OF HEAT TRANSFER COMPONENTS, INC.  
 www.lincolnassoc.com  
 540 Powder Springs Street Suite 29E  
 Marietta, GA 30064  
 Phone: (770) 425-1500 · Fax: (770) 425-1503

“WE SELL SOLUTIONS TO PROBLEMS”



ROWS AVAILABLE:  
 1, 2, 3, 4, 5, 6, 8, 10, 12

FPI AVAILABLE:  
 6, 8, 9, 10, 11, 12, 13, 14

COMPONENTS		DESCRIPTION	
TUBES COPPER ONLY	OD	5/8	1/2
	WALL	.020 / .025 .035 / .049	.016
FINS	.0060	CU	AL / CU
	.0075	AL / CU	N/A
	.0095	AL / CU	N/A
CASING	MATERIAL	16GA. GALV./SS	

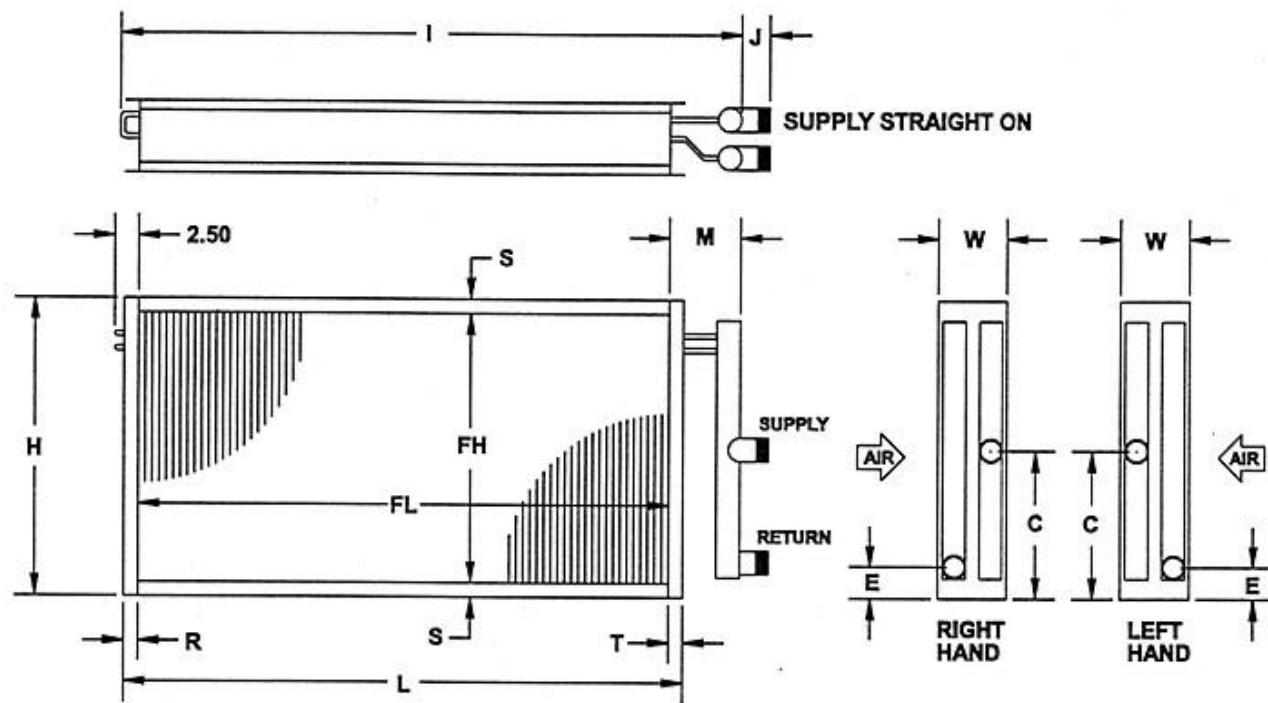
HEADERS & CONNECTIONS -CU					
ITEM	1	2	3	4	MPT
SUPPLY					FPT
RETURN					SWT

**DIMENSIONAL DATA IN INCHES**

	QTY	ROWS	FPI	FH	FL	S	R	T	H	L	W	I	J	M	E	C	
1																	
2																	
3																	
4																	

<b>MODEL NUMBER</b>				<b>CUSTOMER:</b>				<b>TAG:</b>			
1				REP: LINCOLN ASSOCIATES							
2				APP	PRINTS	FOR APPROVAL		PURCHASE ORDER NO.			
3						FOR RECORD					
4				DATE		DRAWING NO.		<b>WATER COIL</b>			
5						99 Water Coil					

“WE SELL SOLUTIONS TO PROBLEMS”



ROWS AVAILABLE:  
 1, 2, 3, 4, 5, 6, 8, 10, 12

FPI AVAILABLE:  
 6, 8, 9, 10, 11, 12, 13, 14

COMPONENTS		DESCRIPTION	
TUBES COPPER ONLY	OD	5/8	1.000
	WALL	.020 / .025 .035 / .049	.035 / .049
FINS	.0060	CU	AL / CU
	.0075	AL / CU	N/A
	.0095	AL / CU	N/A
CASING	MATERIAL	16GA. GALV./SS	

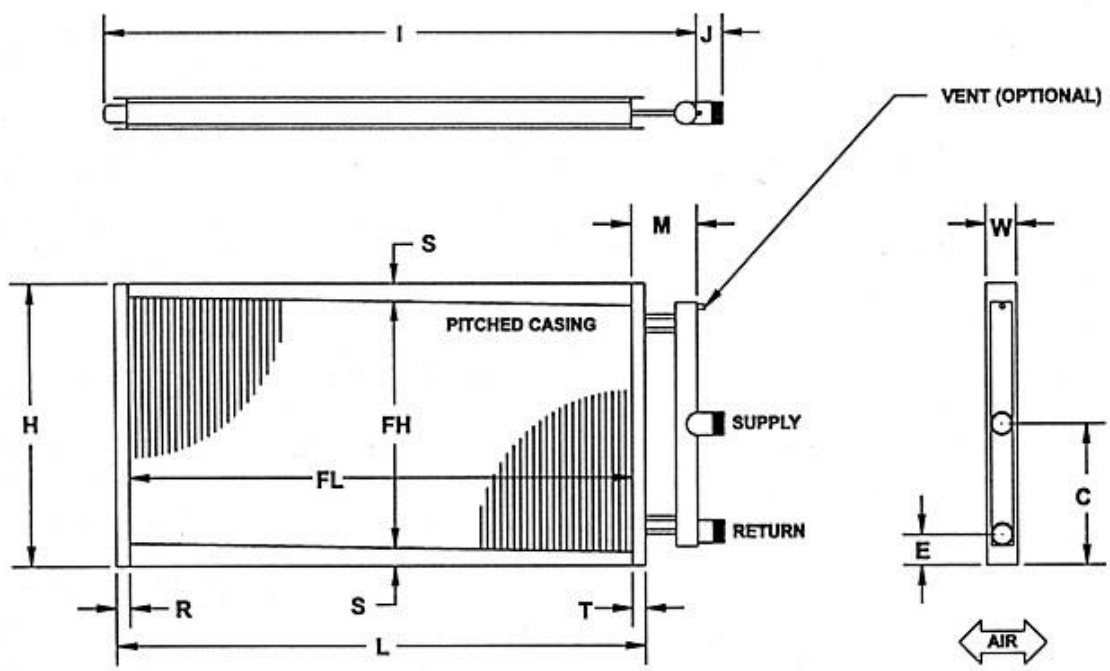
HEADERS & CONNECTIONS - CU					
ITEM	1	2	3	4	MPT
SUPPLY					FPT
RETURN					SWT

**DIMENSIONAL DATA IN INCHES**

	QTY	ROWS	FPI	FH	FL	S	R	T	H	L	W	I	J	M	E	C
1																
2																
3																
4																

<b>MODEL NUMBER</b>				<b>CUSTOMER:</b>				<b>TAG:</b>			
1				REP: LINCOLN ASSOCIATES							
2				APP	PRINTS	FOR APPROVAL		PURCHASE ORDER NO.			
3						FOR RECORD					
4				DATE		DRAWING NO.		<b>STANDARD STEAM</b>			
5						99Standard Steam Coil					

“WE SELL SOLUTIONS TO PROBLEMS”



ROWS AVAILABLE:  
 1, 2, 3, 4, 5, 6, 8, 10, 12

FPI AVAILABLE:  
 6, 8, 9, 10, 11, 12, 13, 14

COMPONENTS		DESCRIPTION	
TUBES COPPER ONLY	OD	5/8	1.000
	WALL	.020 / .025 .035 / .049	.035 / .049
FINS	.0060	CU	AL / CU
	.0075	AL / CU	N/A
	.0095	AL / CU	N/A
CASING	MATERIAL	16GA. GALV./SS	

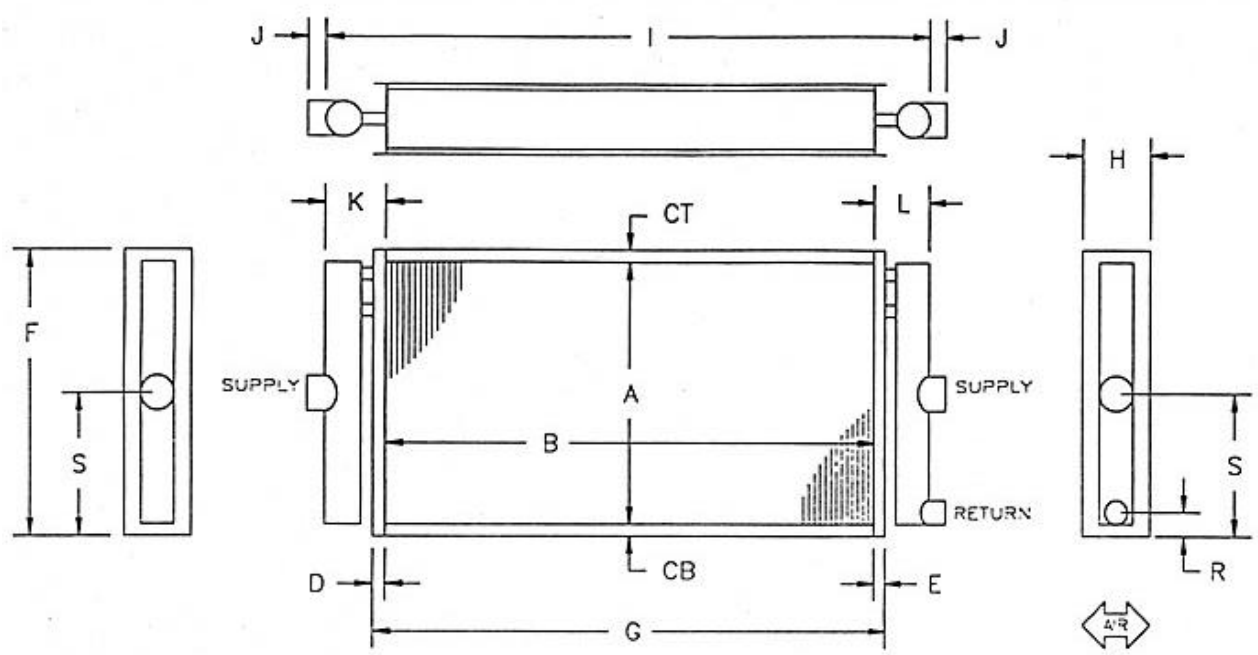
HEADERS & CONNECTIONS - CU					
ITEM	1	2	3	4	MPT
SUPPLY					FPT
RETURN					SWT

**DIMENSIONAL DATA IN INCHES**

	QTY	ROWS	FPI	FH	FL	S	R	T	H	L	W	I	J	M	E	C
1																
2																
3																
4																

<b>MODEL NUMBER</b>				<b>CUSTOMER:</b>				<b>TAG:</b>			
1				REP: LINCOLN ASSOCIATES							
2				APP	PRINTS	FOR APPROVAL		PURCHASE ORDER NO.			
3						FOR RECORD					
4				DATE		DRAWING NO.		<b>STEAM DISTRIBUTING PITCHED COIL</b>			
5						99Steam DPCC					

“WE SELL SOLUTIONS TO PROBLEMS”



AVAILABLE	ROWS	FINS			
5/8 TUBE	1,2	8 THRU 14			
1 1/8 TUBE	1	6 THRU 14			
COMPONENTS		DESCRIPTION			
TUBES COPPER ONLY	OD	5/8	1 1/8		
	WALL	.020 / .025 .035 / .049	.035 / .049		
FINS	.006	CU	CU		
	.008	AL / CU	AL / CU		
	.010	AL / CU	AL / CU		
CASING	MATERIAL	16GA. GALV./SS			
HEADERS & CONNECTIONS -CU					
ITEM	1	2	3	4	MPT
SUPPLY					FPT
RETURN					SWT

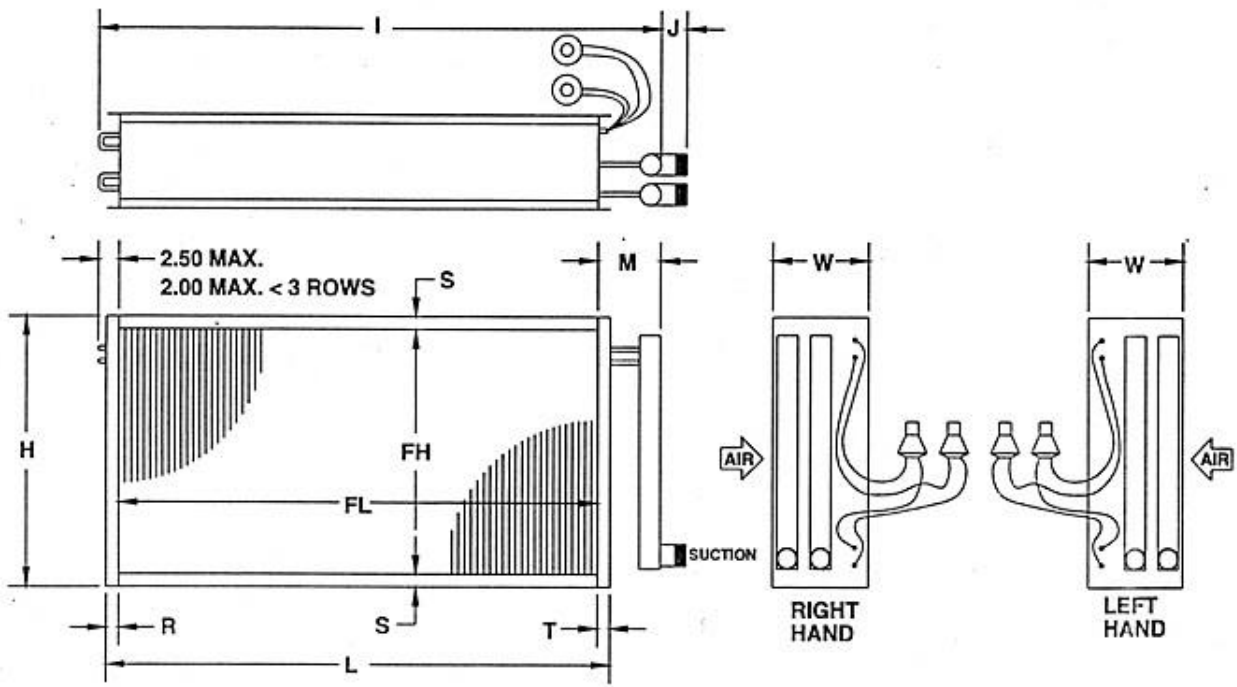
**DIMENSIONAL DATA IN INCHES**

	QTY	ROWS	FPI	A	B	CT	CB	D	E	F	G	H	I	J	K	L	S	R
1																		
2																		
3																		
4																		

<b>MODEL NUMBER</b>				<b>CUSTOMER:</b>				<b>TAG:</b>			
1				REP: LINCOLN ASSOCIATES							
2				APP	PRINTS	FOR APPROVAL	PURCHASE ORDER NO.				
3						FOR RECORD	SHOP ORDER NO.				
4				DATE		DRAWING NO.		<b>STM DISTRIBUTING</b>			
5						NOD -					

**HIC** LINCOLN ASSOCIATES  
 INC. A DIVISION OF HEAT TRANSFER COMPONENTS, INC.  
 www.lincolnassoc.com  
 540 Powder Springs Street Suite 29E  
 Marietta, GA 30064  
 Phone: (770) 425-1500 · Fax: (770) 425-1503

“WE SELL SOLUTIONS TO PROBLEMS”



ROWS AVAILABLE:  
 1, 2, 3, 4, 5, 6, 8, 10, 12

FPI AVAILABLE:  
 6, 8, 9, 10, 11, 12, 13, 14

COMPONENTS		DESCRIPTION	
TUBES COPPER ONLY	OD	5/8	1/2
	WALL	.020 / .025 .035 / .049	.016
FINS	.0060	CU	AL / CU
	.0075	AL / CU	N/A
	.0095	AL / CU	N/A
CASING	MATERIAL	16GA. GALV./SS	

HEADERS & CONNECTIONS - CU					
ITEM	1	2	3	4	MPT
SUCTION					FPT
LIQUID					SWT

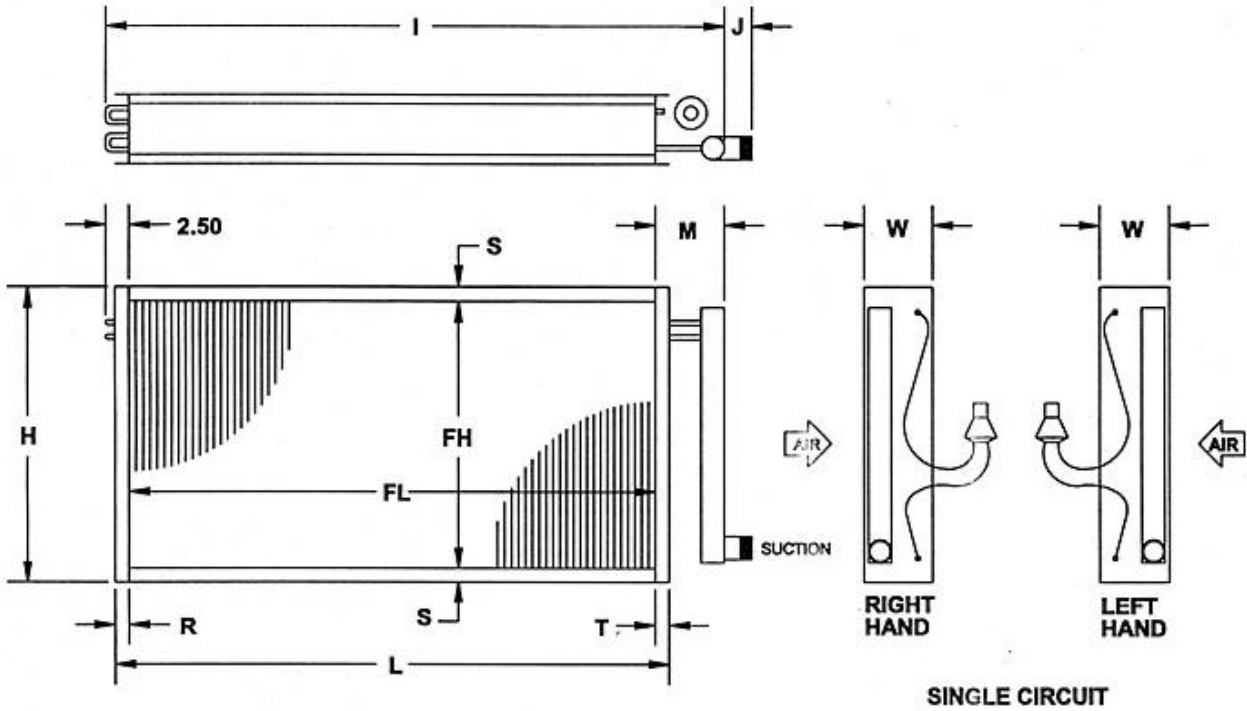
**DIMENSIONAL DATA IN INCHES**

	QTY	ROWS	FPI	FH	FL	S	R	T	H	L	W	I	J	M			
1																	
2																	
3																	
4																	

<b>MODEL NUMBER</b>					<b>CUSTOMER:</b>				<b>TAG:</b>			
1					REP: LINCOLN ASSOCIATES							
2					APP	PRINTS	FOR APPROVAL		PURCHASE ORDER NO.			
3							FOR RECORD		SHOP ORDER NO.			
4					DATE		DRAWING NO. DX3 - CP1067A		<b>DX COIL - DUAL</b> ROW SPLIT			
5												

**HFC** LINCOLN ASSOCIATES  
 INC. A DIVISION OF HEAT TRANSFER COMPONENTS, INC.  
 www.lincolnassoc.com  
 540 Powder Springs Street Suite 29E  
 Marietta, GA 30064  
 Phone: (770) 425-1500 · Fax: (770) 425-1503

“WE SELL SOLUTIONS TO PROBLEMS”



ROWS AVAILABLE:  
 1, 2, 3, 4, 5, 6, 8, 10, 12

FPI AVAILABLE:  
 6, 8, 9, 10, 11, 12, 13, 14

COMPONENTS		DESCRIPTION		
TUBES COPPER ONLY	OD	5/8	1/2	
	WALL	.020 / .025 .035 / .049	.016	
FINS	.0060	CU	AL / CU	
	.0075	AL / CU	N/A	
	.0095	AL / CU	N/A	
MATERIAL		16GA. GALV./SS		
HEADERS & CONNECTIONS -CU				
ITEM	1	2	3	4
SUCTION				
LIQUID				
OD - SWEAT				

**DIMENSIONAL DATA IN INCHES**

	QTY	ROWS	FPI	FH	FL	S	R	T	H	L	W	I	J	M			
1																	
2																	
3																	
4																	

<b>MODEL NUMBER</b>								<b>CUSTOMER:</b>				<b>TAG:</b>					
1								REP: LINCOLN ASSOCIATES				PURCHASE ORDER NO.					
2								APP	PRINTS	FOR APPROVAL							
3										FOR RECORD							
4								DATE			DRAWING NO. 99 DX Coil			<b>DX COIL - SINGLE</b>			
5																	