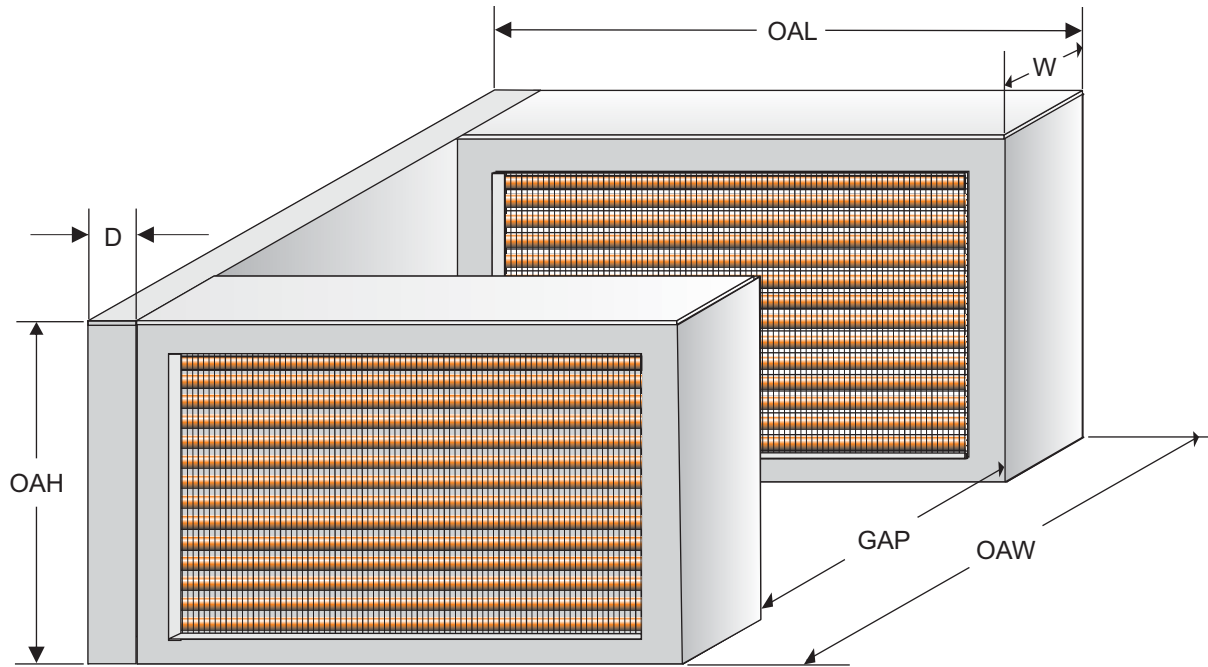




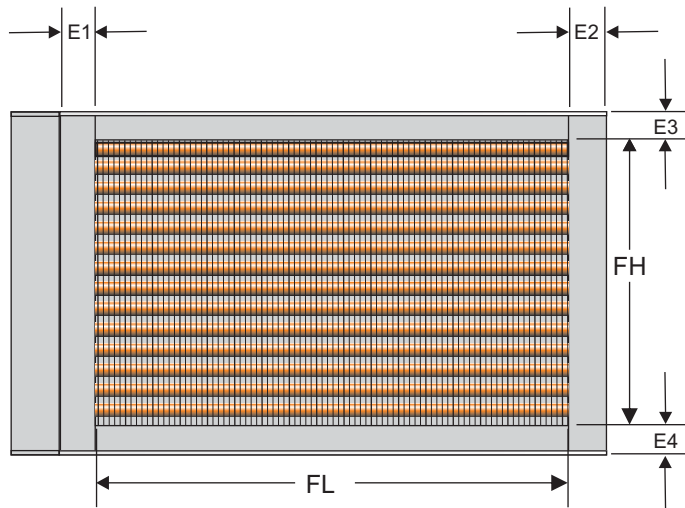
ACT Wrap-Around Heat Pipe Heat Exchanger Dimensionals



Note: Drawings are not to scale

Front View Dimension Table	
OAH: Total Height	Optional
OAL: Total Length	Optional
OAW: Total Coil Spacing	Optional
GAP	Optional
FH: Fin Height	Fin Height "MUST" be in multiples of 1.25"
FL: Fin Length	Optional
E1 - E2: Side Flange	Minimum of 1.5" or as specified
E3 - E4: Top - Bottom Flange	Minimum of 1.0" or as specified
D: Return Tube Depth	See table for minimum or as specified
W: Coil Width	See table for minimum or as specified

Energy Recovery Coil Side View

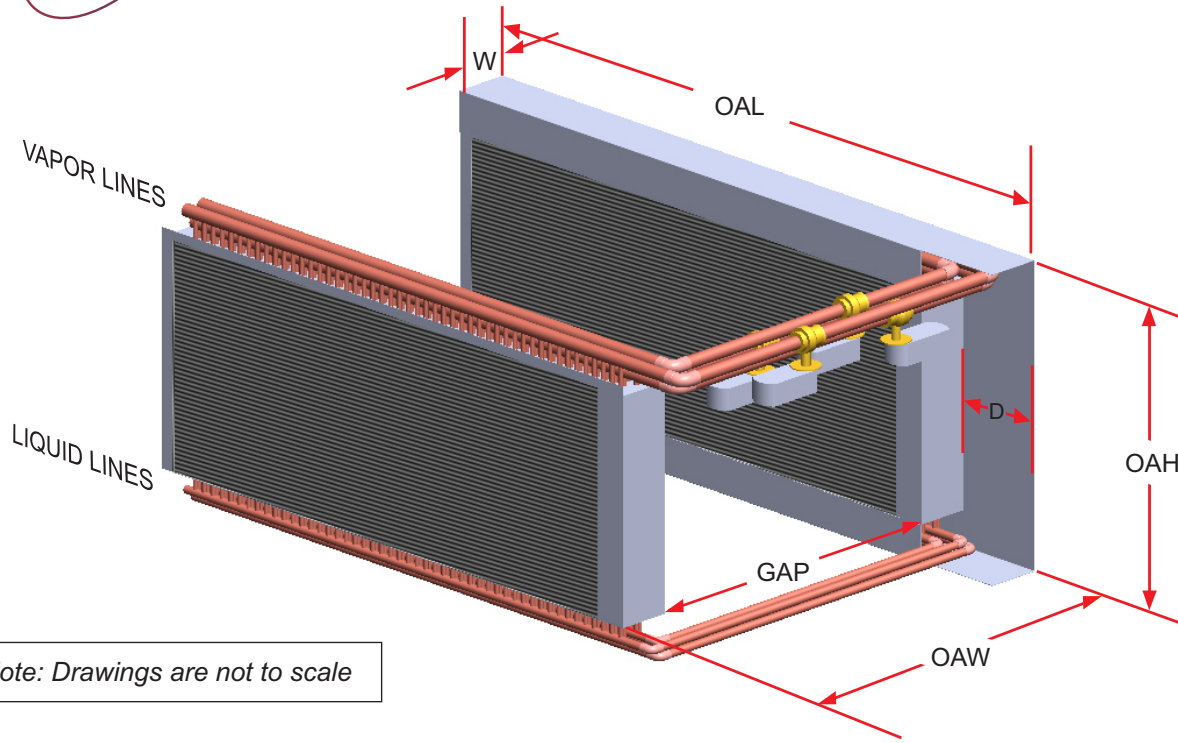


(D) Return Tube Depth Table by Number of Rows										
Rows	1	2	3	4	5	6	7	8	9	10
D	2.0"	2.0"	2.75"	2.75"	3.5"	3.5"	4.25"	4.25"	5.0"	5.0"

(W) Coil Width Table by Number of Rows										
Rows	1	2	3	4	5	6	7	8	9	10
W	1.5"	3.0"	4.0"	5.0"	6.0"	7.0"	8.0"	9.25"	10.5"	11.5"



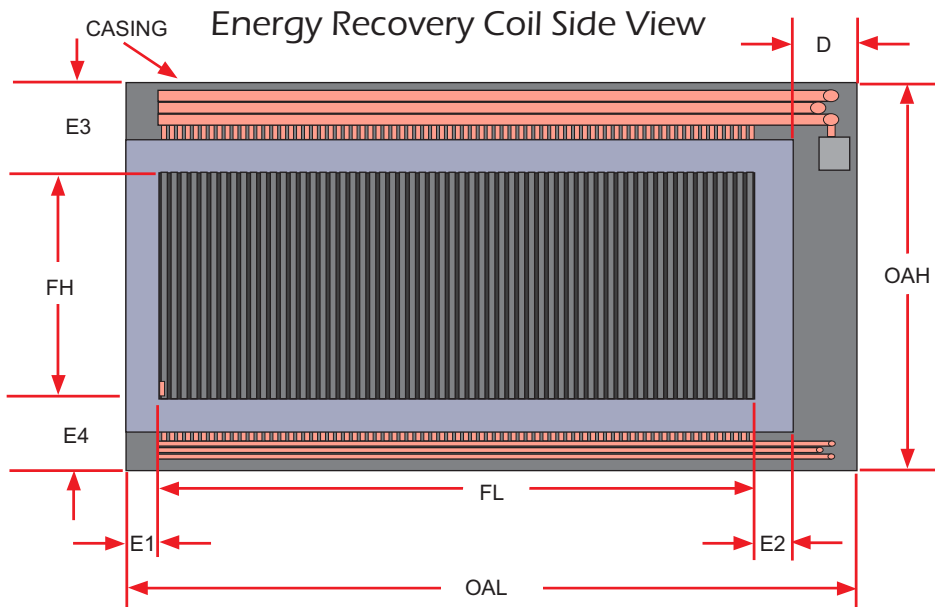
ACT Split Loop Thermosyphon Wrap-Around Heat Pipe Heat Exchanger Dimensionals



Note: Drawings are not to scale

Front View Dimension Table	
OAH: Total Height	FH + 8.50"
OAL: Total Length	Optional
OAW: Total Coil Spacing	Optional
GAP	Optional
FH: Fin Height, *Max. 36.0"	Fin Height "MUST" be in multiples of 1.25"
FL: Fin Length	Optional
E1 - E2: Side Flange	Minimum of 1.00" or as specified
E3 - Bottom Flange	Minimum of 4.50" or as specified
E4: Bottom Flange	Minimum of 4.00"
W: Coil Width	See table for minimum or as specified
D: Return Tube Depth	See table for minimum or as specified

* Note: Fin Height over 36.0" must be stacked



(D) Return Tube Depth Table by Number of Rows										
Rows	1	2	3	4	5	6	7	8	9	10
No Control - D	2.0"	4.0"	5.0"	7.0"	8.0"	9.0"	10.0"	11.0"	12.0"	14.0"
With Control - D	3.0"	4.50"	6.75"	9.0"	11.25"	13.5"	15.75"	18.0"	20.25"	22.5"

(W) Coil Width Table by Number of Rows										
Rows	1	2	3	4	5	6	7	8	9	10
W	2.0"	3.5"	4.5"	6.0"	7.0"	8.0"	9.0"	10.0"	11.0"	12.0"