

# VANTAGE™

## ROBERTS / GORDON®

### Premium Quality Unitary Heater



**MODEL  
CTH2V**

#### Long-Lasting Durability for Industrial/Commercial Applications

- Diagnostic capability incorporated in burner design
- Design flexibility achieved with straight, U-tube or L configurations and a broad range of burner sizes and tube lengths
- Years of field-proven product performance
- Burner box design with protective enclosure for controls helps minimize exposure to dirt and moisture from combustion air
- Longer life provided by durable components

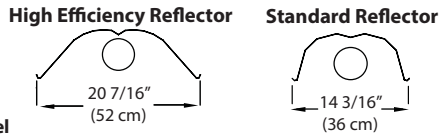
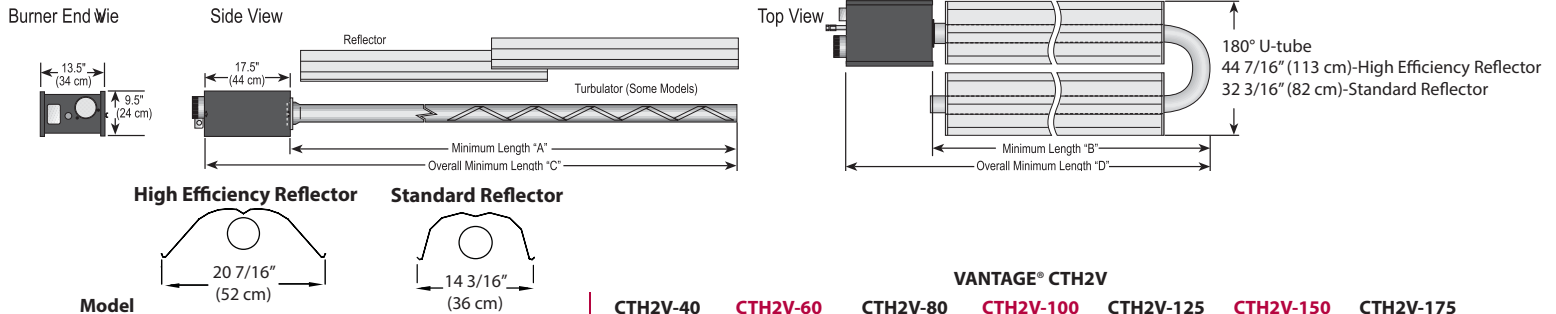


800.828.7450

[www.robertsgordon.com](http://www.robertsgordon.com)

THE INDUSTRY LEADER  
**RADIANT**  
EFFICIENCY™

# ROBERTS GORDON® THE EXCLUSIVE PRODUCER OF CORAYMAC™



## VANTAGE® CTH2V

Model		CTH2V-40	CTH2V-60	CTH2V-80	CTH2V-100	CTH2V-125	CTH2V-150	CTH2V-175
Minimum Length of Straight Tube*	[ft] A	10	20	20	30	40	50	60
Minimum Length of U-tube*	[ft, in] B	N/A	11.7	11.7	16.7	21.7	26.7	31.7
Overall Minimum Length of Straight Tube	[ft, in] C	11, 5.5	21, 5.5	21, 5.5	31, 5.5	41, 5.5	51, 5.5	61, 5.5
Overall Minimum Length of U-tube	[ft, in] D	N/A	13, 0.5	13, 0.5	18, 0.5	23, 0.5	28, 0.5	33, 0.5
*For additional lengths, please see the current Installation, Operation and Service Manual.								
<b>Input (Btu/h) x (1000)</b>		<b>40</b>	<b>60</b>	<b>80</b>	<b>100</b>	<b>125</b>	<b>150</b>	<b>175</b>
Inlet Pressure	[in wc] NG min.	4.6	4.6	4.6	4.6	4.6	4.6	5
	LPG Propane min.	11	11	11	11	11	11	11
	NG & LPG Propane max.	14	14	14	14	14	14	14
Gas Connection	NPT	½"	½"	½"	½"	½"	¾"	¾"
Exhaust Flue	dia	4"	4"	4"	4"	4"	4"	4"
Combustion Air Inlet	dia	4"	4"	4"	4"	4"	4"	4"
<b>Weights</b>								
<b>Hot Rolled or Aluminized Tube and Accessory Packages [ft]</b>		<b>10</b>	<b>20</b>	<b>30</b>	<b>40</b>	<b>50</b>	<b>60</b>	<b>70</b>
High Efficiency Aluminum Reflector	[lb]	52	86	120	161	206	240	281
Aluminized Tube with Stainless Steel Reflector	[lb]	66	113	152	208	265	304	360
<b>Burner</b>	<b>[lb]</b>	<b>40</b>						
<b>U-tube Packages</b>								
Aluminized U-tube for High Efficiency Reflector	[lb]	23						
Aluminized U-tube for Standard Reflector	[lb]	19						

Fuel	NG or LPG Propane
Electrical Supply	120 V, 60 Hz, 1 A
Heat Exchanger Tubing	10 ft Sections, 4" dia, 16 Gauge, First 10 ft ALUMI-THERM® Steel Tubing [Remaining Hot Rolled or Heat Treated Aluminized Steel Tubing]
Exhaust Flue	dia 4"
Reflector and End Caps	.024 Aluminum [Optional - .024 Stainless Steel Type 304]
Control System	Fully Automatic, Three-Try, 100% Shut-Off, Direct Spark Electronic Ignition Control, LED Burner Status Light
Approved As	Indoor (Vented or Unvented)
Certification	ANSI Z83.20/CSA 2.34, 2.17
Warranty	Three-Year Limited (Refer to Installation, Operation and Service Manual for Details)

## Clearances to Combustibles \*\*[in]

Model		CTH2V-40	CTH2V-60	CTH2V-80	CTH2V-100	CTH2V-125	CTH2V-150	CTH2V-175
Horizontal	45°	Horiz. 45°	Horiz. 45°	Horiz. 45°	Horiz. 45°	Horiz. 45°	Horiz. 45°	Horiz. 45°
	A	6 8	6 8	6 8	6 10	6 10	6 12	8 12
	B	27 8	35 8	38 8	40 8	46 8	50 8	52 8
	C	53 51	63 60	66 66	71 74	77 78	80 84	82 85
	D	27 46	35 54	38 60	40 64	46 69	50 74	52 79

\*\*Clearances B, C and D can be reduced by 50% for locations 25 ft (7 m) or more downstream of the burner. For other mounting options and associated clearances, complete installation, operation and service criteria, please see the current issue of the Installation, Operation and Service Manual.

**This product is not for residential use.**

**This document is intended to assist licensed professionals in the exercise of their professional judgment.**

Roberts-Gordon LLC  
1250 William Street  
P.O. Box 44  
Buffalo, NY 14240-0044 USA  
Telephone: +1.716.852.4400  
Fax: +1.716.852.0854  
Toll Free: 800.828.7450  
www.robertsgordon.com



© 2017 Roberts-Gordon LLC All rights reserved. No part of this work covered by the copyrights herein may be reproduced or copied in any form or by any means – graphic, electronic, or mechanical, including photocopying, recording, taping, or information storage and retrieval systems – without written permission of Roberts-Gordon LLC.