



## KED Evaporator

### KED Evaporator Electric Defrost with Patented Power Trim®

The KED model unit coolers are specifically designed for commercial and industrial freezer applications, incorporating the time-proven Kramer Electric defrost. The positive heat source and ease of serviceability make these units the popular choice in electric defrosting. These units are suitable for maintaining room temperatures in the range of +35° to -30°F. KED model evaporators.

Model KED-11200 and larger have their defrost heaters grouped. A fused panel is provided as standard to protect each group in accord with the requirements of the National Electrical Code.



#### Features:

- Corrosion resistant casing, sturdy construction.
- Incoloy sheathed heaters.
- Coils constructed of copper tubes and aluminum fins.
- Industrial evaporators with 4 FPI.
- Heated drain pan for positive condensate drainage.
- Dependable ratings based on laboratory tests.
- Draw-thru air design.
- All models have motors with built-in overload protection.
- A fused panel for defrost heaters (Model KED-1200 and larger).
- Optional high pressure propeller fans.

#### Capacity Data • BTU/HR @ 10° TD<sup>(1)</sup>

	MODEL	Evaporator Temperature - °F							
		+25°	+20°	+10°	0°	-10°	-20°	-30°	-40°
4 FPI	KED-400	45800	45200	44000	42800	41600	40000	38000	35600
	KED-550	62900	62000	60500	58900	57200	55000	52300	49000
	KED-750	86200	85000	82500	80300	78000	75000	71300	66800
	KED-950	108500	107000	105000	102000	98800	95000	90300	84800
	KED-1200	136900	135000	132000	124800	128400	120000	114000	106800
	KED-1600	182500	180000	177600	172000	166400	160000	152000	143200

1. Ratings based on R-22.

## Performance Data

4 FPI	MODEL	CFM (2)	Air Throw (FT) (3)	Motors (4)		Total Fan Motor Amps (4)		Defrost Heaters		
				Qty.	H.P.	230-3-60	460-3-60	Watts	Amps	
									230/3	460/3
	KED-400D	8600	50	2	1/2	3.6	1.8	11050	26.0	15.0
KED-400PP	11700	75	2	1-1/2	10.0	5.0	11050	26.0	15.0	
KED-550D	8400	50	2	1/2	3.6	1.8	11050	33.0	20.0	
KED-550PP	11200	75	2	1-1/2	10.0	5.0	11050	33.0	20.0	
KED-750D	13100	100	2	3/4	6.8	3.4	15120	35.0	20.0	
KED-750PP	17600	125	2	3	20.0	10.0	15120	35.0	20.0	
KED-950D	15000	100	2	3/4	6.8	3.4	15120	47.0	27.0	
KED-950PP	16800	125	2	3	20.0	10.0	15120	47.0	27.0	
KED-1200D	20200	100	3	3/4	10.2	5.1	29980	76.0	41.0	
KED-1200PP	22600	125	3	3	30.0	15.0	29980	76.0	41.0	
KED-1600D	26900	100	4	3/4	13.6	6.8	39200	100.0	53.0	
KED-1600PP	32000	125	4	3	40.0	20.0	39200	100.0	53.0	

## Connection Data

4 FPI	MODEL	Connections (5)			
		Suction O.D.	Liquid O.D.	Ext. Equal O.D.	Drain MPT
KED-400D	1-3/8	7/8	1/4	3/4	
KED-400PP	1-3/8	7/8	1/4	3/4	
KED-550D	1-5/8	1-1/8	1/4	3/4	
KED-550PP	1-5/8	1-1/8	1/4	3/4	
KED-750D	1-5/8	1-1/8	1/4	3/4	
KED-750PP	1-5/8	1-1/8	1/4	3/4	
KED-950D	2-1/8	1-1/8	1/4	3/4	
KED-950PP	2-1/8	1-1/8	1/4	3/4	
KED-1200D	2-1/8	1-3/8	1/4	1	
KED-1200PP	2-1/8	1-3/8	1/4	1	
KED-1600D	2-1/8	1-3/8	1/4	1	
KED-1600PP	2-1/8	1-3/8	1/4	1	

2. "D"- Direct Drive high efficiency propeller fans.  
 "PP"-Direct Drive with high pressure axial propeller fans.  
 Do NOT use "PP" models above +25° box temperature.  
 "PP" models can operate with ESP up to 0.5".  
 At this condition CFM will drop to "D" model CFM.
3. Unrestricted air flow.
4. Single phase motors available on "D" models only, contact factory.
5. Connection sizes are based on R-22, and may vary from catalog when actual site operating conditions are provided at time of order.

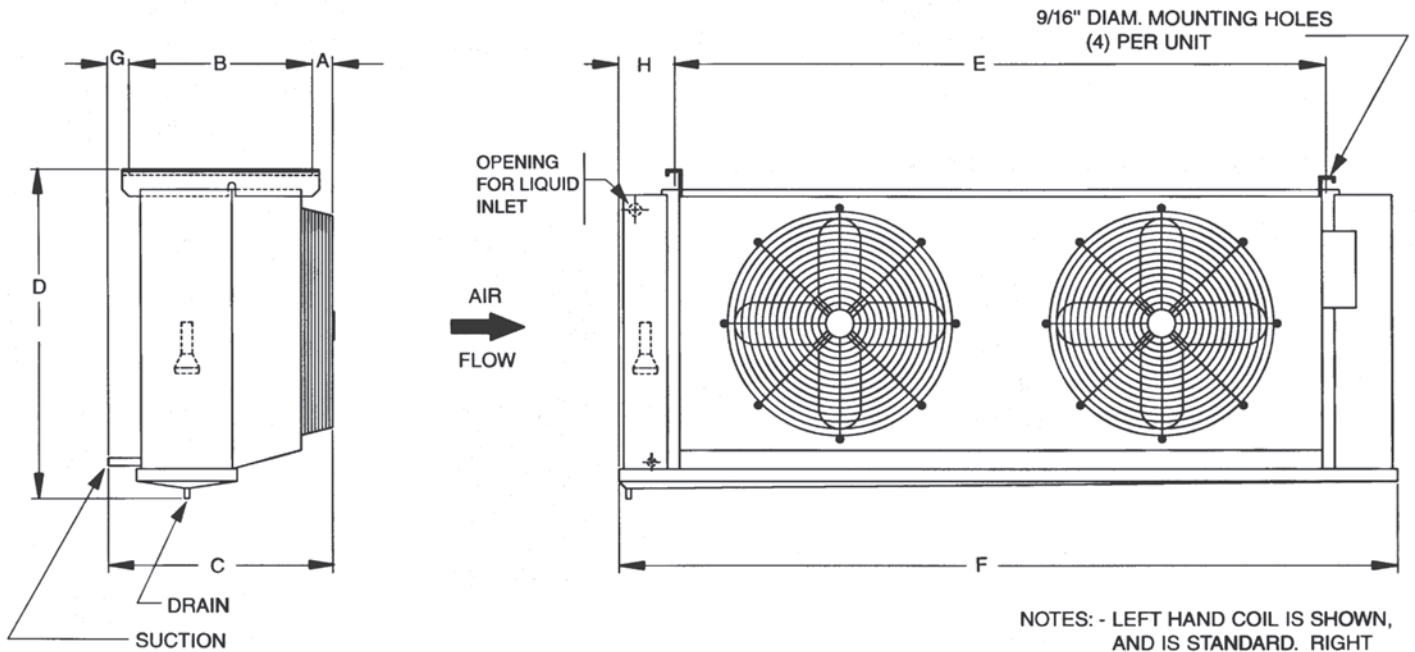
## Dimensional Data

	MODEL	Dimensions (in)								Ref. Chrg. (lbs) (6)	Approx. Ship Weight (lbs)
		A	B	C	D	E	F	G	H		
4 FPI	KED-400 D	3-1/4	26	31-3/4	42-1/2	58	75	2-1/2	7-1/2	8	470
	KED-400PP	3-1/4	26	31-3/4	42-1/2	58	75	2-1/2	7-1/2	8	520
	KED-550D	3-1/4	26	31-3/4	42-1/2	58	75	2-1/2	7-1/2	13	540
	KED-550PP	3-1/4	26	31-3/4	42-1/2	58	75	2-1/2	7-1/2	13	570
	KED-750D	3-1/4	26	31-3/4	42-1/2	94	111	2-1/2	7-1/2	17	815
	KED-750PP	3-1/4	26	31-3/4	42-1/2	94	111	2-1/2	7-1/2	17	835
	KED-950D		26	31-3/4	42-1/2	94	111	2-1/2	7-1/2	19	920
	KED-950PP		26	31-3/4	42-1/2	94	111	2-1/2	7-1/2	19	930
	KED-1200D	7-1/2	28-1/4	41-3/4	47-3/4	113-1/4	136	6	11-3/8	25	1460
	KED-1200PP	7-1/2	28-1/4	41-3/4	47-3/4	113-1/4	136	6	11-3/8	25	1480
	KED-1600D	7-1/2	28-1/4	41-3/4	47-3/4	151-1/4	174	6	11-3/8	33	2170
	KED-1600PP	7-1/2	28-1/4	41-3/4	47-3/4	151-1/4	174	6	11-3/8	33	2260

1. Based on R-22.

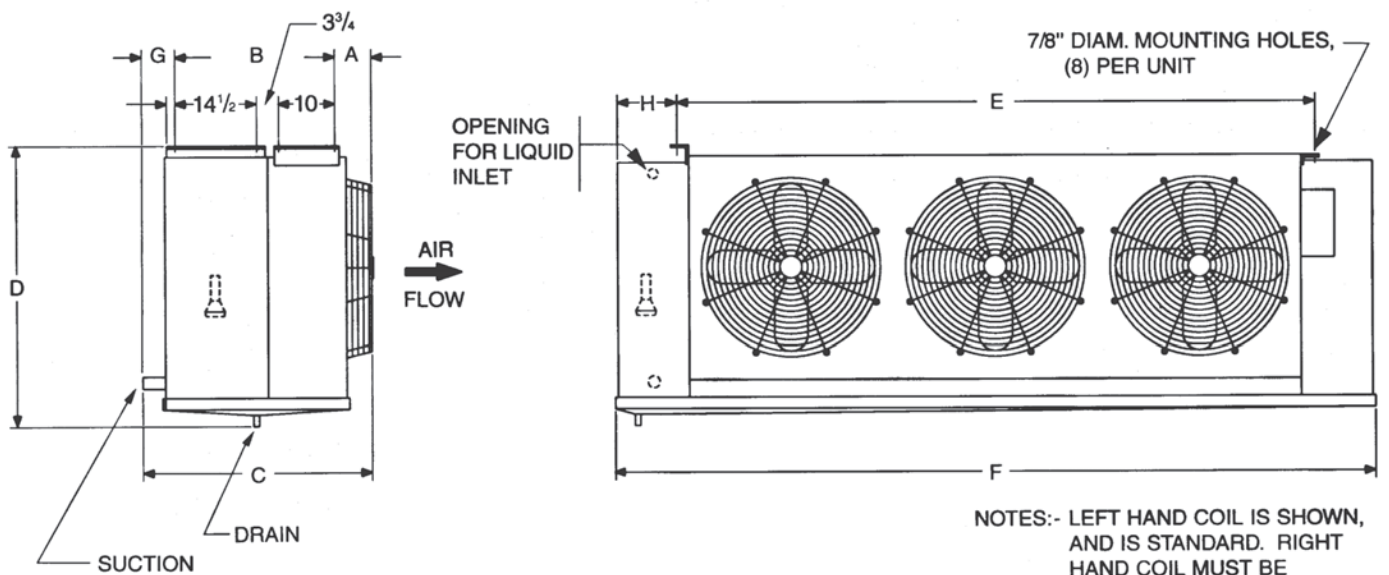
For your convenience the diagram originally here is enlarged, and is now a separate page that can be found just after this page in the Adobe document.

**MODELS: KED-400, 550, 750 & 950**



NOTES: - LEFT HAND COIL IS SHOWN, AND IS STANDARD. RIGHT HAND COIL MUST BE SPECIFIED WHEN ORDERING.  
 - ALL DIMENSIONS ARE IN INCHES.

**MODELS: KED-1200 & 1600**



NOTES: - LEFT HAND COIL IS SHOWN, AND IS STANDARD. RIGHT HAND COIL MUST BE SPECIFIED WHEN ORDERING.  
 - ALL DIMENSIONS ARE IN INCHES.